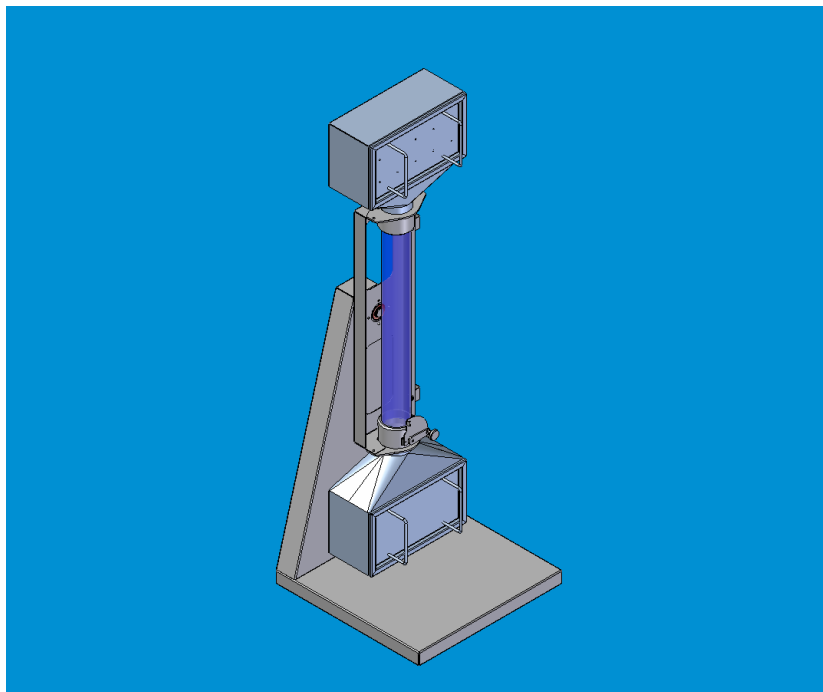


## Instrument for assessment of Bread Volume

# OBK 2



- **OBK 2** is an instrument for measuring volume bread in mill and bakery laboratory for objective measure quality of flour and bakery products.
- Principle of measurement consists in determination of the changes in volume refill with millet seeds, which indicates the volume of the bread.
- Determination volume is possible in range 0 – 3 100 cm<sup>3</sup> with a resolution of 25 ml.
- The moving part of the machine is installed on a stand on wheels. It can also be mounted on a wall

**Technical parameter:**

Weight apparatus without filling (millet seeds) c : 45 kg

Weight filling (millet seeds) c: 15 kg

Size of instrument:            height            1710 mm  
   width            590 mm  
   length           700 mm

Length graduated vessel :            710 mm

Size of measuring chamber: length            400 mm  
   width            180 mm  
   height           230 mm

Size of input door :            width            365 mm  
   weight           195 mm

Instal / workplace:            depth            590 mm  
   height           1710 mm  
   width           1560 mm

**Prodej a servis v ČR:**

MEZOS, spol. s r. o., Kyjovská 474/7 500 06 Hradec Králové  
tel., fax, zázn.: (+420) 491 424 788, mobil: 608 411 262  
e-mail: [mezos@mezos.cz](mailto:mezos@mezos.cz), [www.mezos.cz](http://www.mezos.cz)